

Xnut Ruggedised Enclosure

What is a Xnut Ruggedised Enclosure?

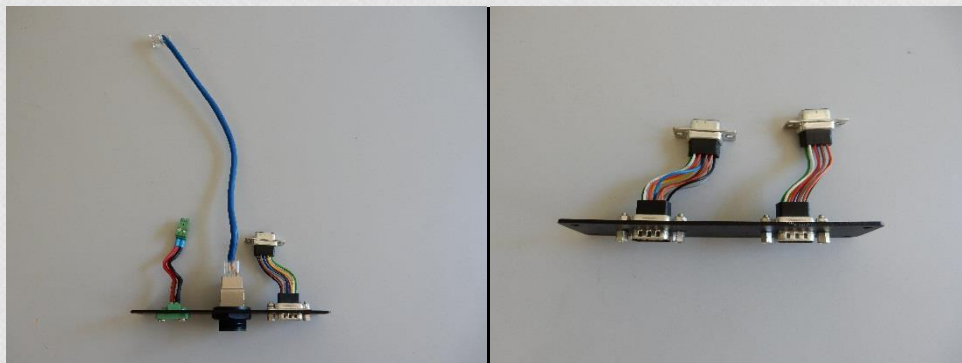
The Xnut Ruggedised Enclosure provides an improved mounting solution for existing Xnut units, that is easily retro-fittable onsite with a Philips head screwdriver and a size 10 Torx spit tool.

All external connectors are fixed to rigid aluminium end plates. This provides a robust mounting solution while the internal flyleads assist in protecting the Xnut connectors from vibration and strain related failures.

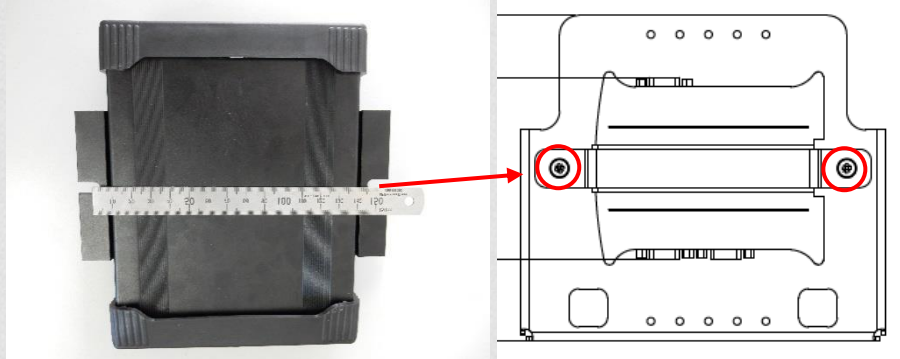
Mechanically Retained External Connectors for Power and D9 connections – physically preventing unwanted disconnections.



Vibration Isolation – Xnut connectors insulated from external vibrations through robust external mounts and internal flyleads. Fly leads are crimped, not soldered, to provide extra resilience against failing joints.



Easily Retro Fittable to existing installation points- new enclosure mounts pick up existing mounting holes at 150mm.



Vibration Damping – With internal foam padding, internal flyleads and external rubber end caps.



Installation Tools Required

- > Phillips head screwdriver
- > Torx No. 10
- > Spanner for Mounting bolts